

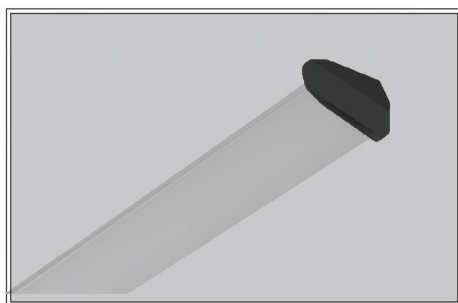
SuperWing Series

The world's best fan, built to industry pioneer standards

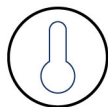


- PMSM gearless direct drive Motor, Maintenance Free
- World's strongest rare earth magnets (NdFeB, Grade N38SH), high electrical efficiency >84%
- High performance: energy saving
- Ultra-efficient Aluminum Aerofoils blades and Robust construction

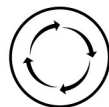
- Built in Security Module
- Protection class IP65
- Automatically cut off the power in case of accident
- Effectively shield electromagnetic disturb
- Advanced smart controller provides easy integration to BMS and fire alarm system



- Profili V2 software simulated airfoil blades
- Made of AA60636511 high performance aluminum alloy
- Fan size from 16-24ft, motor max torque



Human-body Cooling



Natural Air Ventilation



Dehumidification



Large Airflow Coverage

Suzhou Optimal Machinery Co.,Ltd.

+86-15851682580

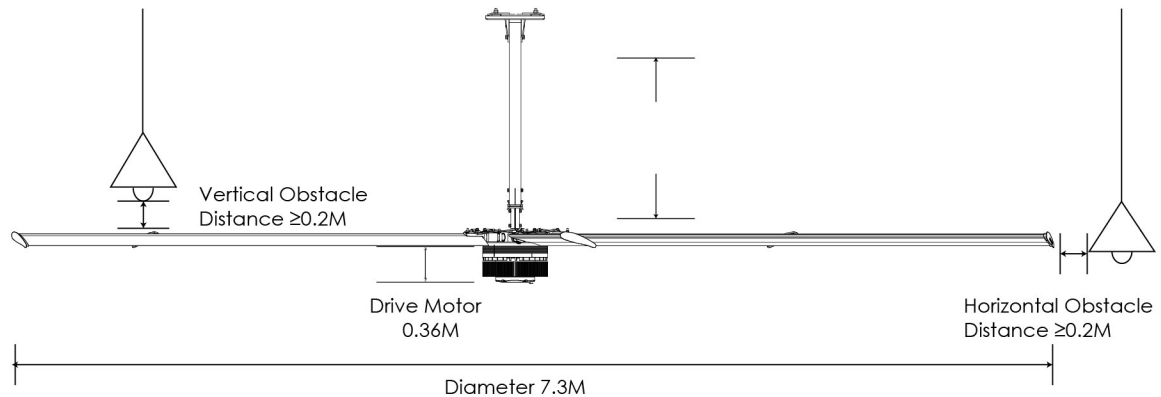
ericleung@optfan.com

No.50, Jiangpu Road, Suzhou Industrial Park, Suzhou City, China

www.optfan.net www.opthvlsfans.com



OPTFAN
Commitment for HVLS Fans & Breeze Air Tech



Technical Specifications

Model Size

Model	OM-PMSM-24
Fan diameter (A)	24ft (7.3m)
Number and type of airfoils	6
Winglet (standard color)	Black

Performance

Air volume	15,000CMM
Maximum speed	55RPM
Sound level at maximum speed	39dBA
Suggest Installing Height	$\geq 3.5M$

Weight

Body Weight	121KG
-------------	-------

Motor drive and controller

Rated power	1.5KW
Motor	PMSM Gearless DD Motor
Maximum amps	4.69A
Voltage	220V 1P/3P
Controller	Central control with BMS system and fire alarm

Weight does not include mount or extension tube.

Fans are sound tested at maximum speed in a laboratory environment. Actual results in field conditions may vary due to sound reflecting surfaces and environmental conditions.
2-year parts warranty, fan blades for lifetime.

Features and Benefits

1. PMSM gearless DD motor with freer maintenance, lower cost investment and less power consumption than most traditional cooling methods.
2. Very quiet with noise level less than 39dBA, ideal for sounds concerns environment.
3. Assit in the removal of thermal stratification, help reduce humidity and condensation on floors and equip-
4. One unit 24ft fan equal to 50 sets small size fans, up to 92% cost saving of energy bills.
5. Substantial energy savings on your air conditioning costs, up to 50% cost saving of energy bills.
6. Warranty (Whole fans 2 years, fan blades lifetime).

Suzhou Optimal Machinery Co.,Ltd.

+86-15851682580

ericleung@optfan.com

No.50, Jiangpu Road, Suzhou Industrial Park, Suzhou City, China

www.optfan.net www.opthvlsfans.com



OPTFAN
Commitment for HVLS Fans & Breeze Air Tech